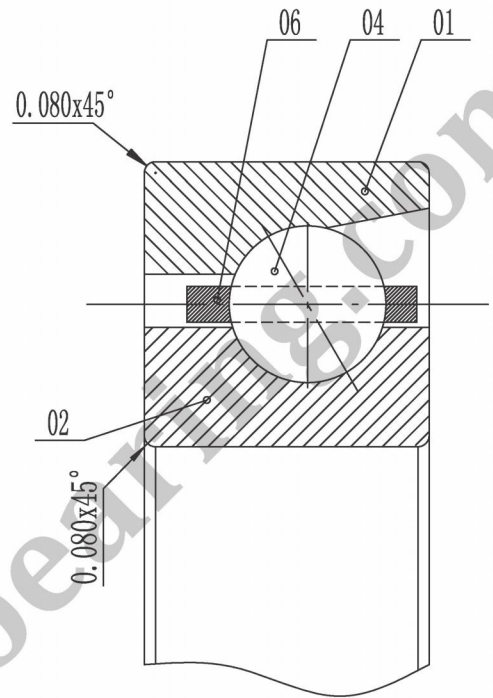


I enlarged view



INA THIN SECTION BEARING

Formal drawing of CSEF110 will be submitted after contact with:

sales@jcb-bearing.com or sales@thinsectionbearings.com

06	cage		Brass			
04	steel ball		AISI 52100 Steel			
02	inner ring	1	AISI 52100 Steel			
01	outer ring	1	AISI 52100 Steel			
No.	designation	qty	material	unit	total	remark
				weight (lbs)		
Luoyang JCB Bearing Technology Co., Ltd				CSEF110		
Contact information						
Company Address : No.285 Fenghua road, Luoyang, Henan,China.				weight(lbs)		
Postal code : 471000				4.75		
Phone : 0086-379-68611678 Fax : 0086-379-68611679				total page 1		
E-mail: sales@jcb-bearing.com				page 1		
Reserved E-mail: sales@thinsectionbearings.com				Luoyang JCB Bearing Technology Co., Ltd		
Website: http://www.jcb-bearing.com						
https://www.thinsectionbearings.com						